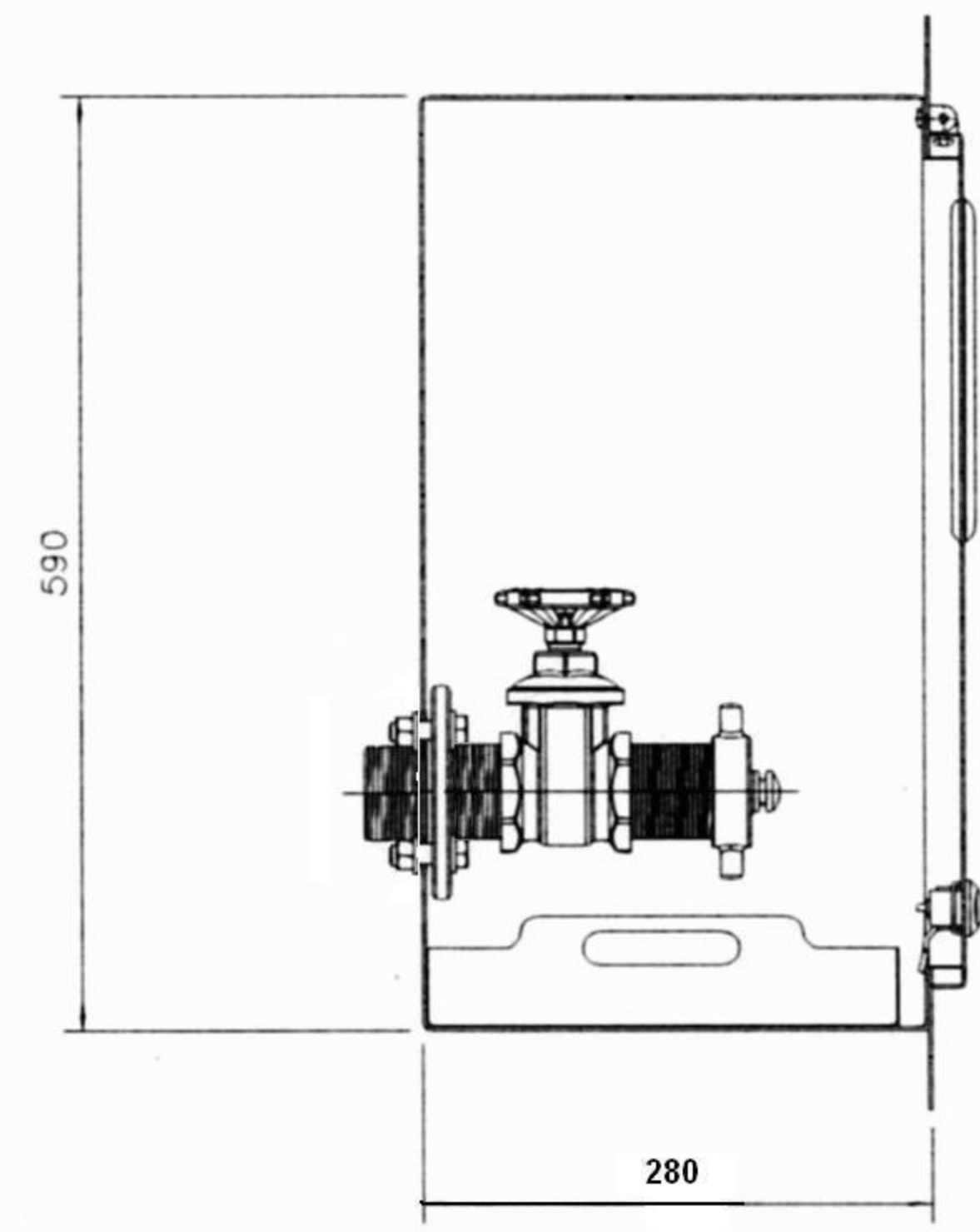
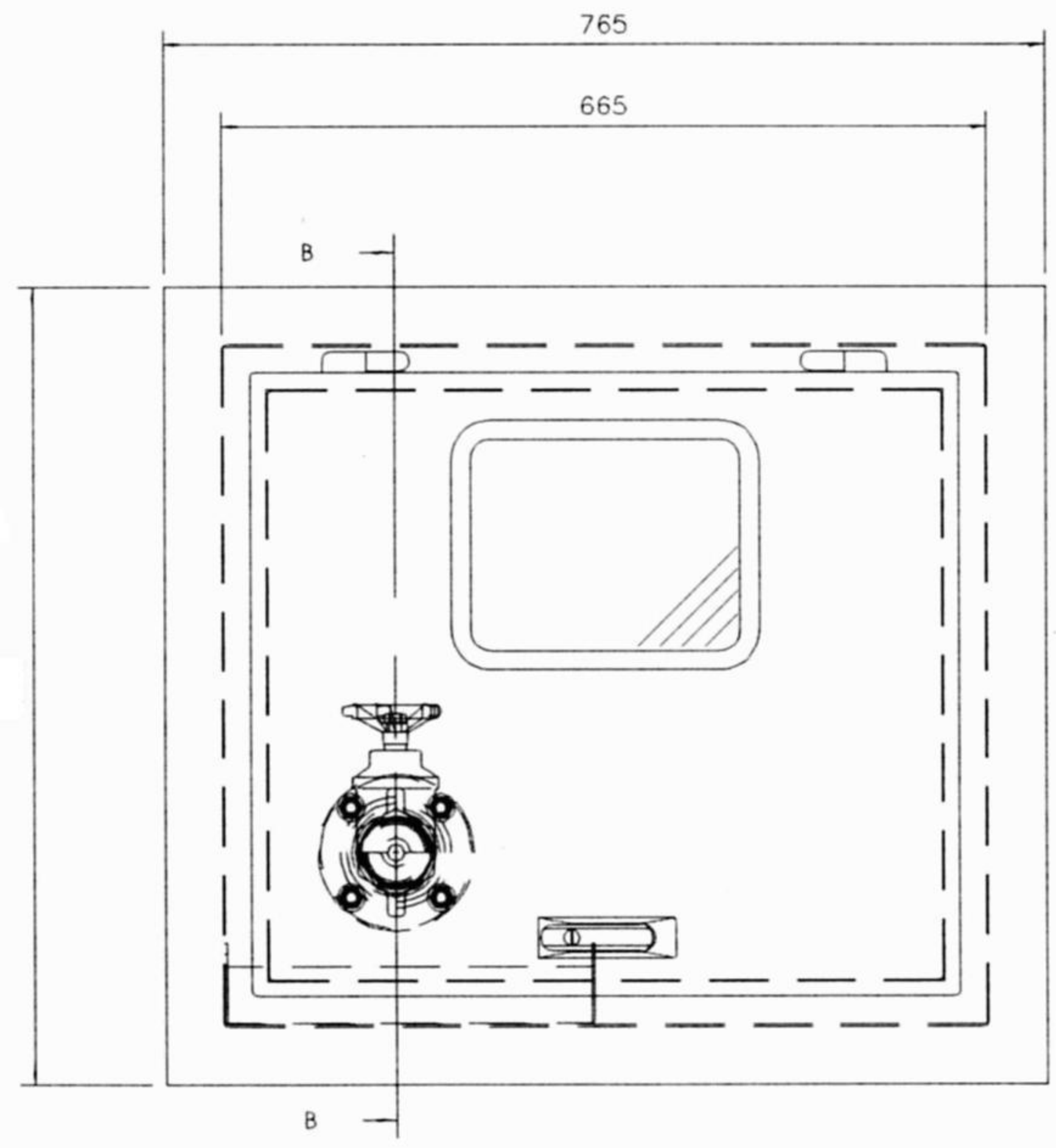
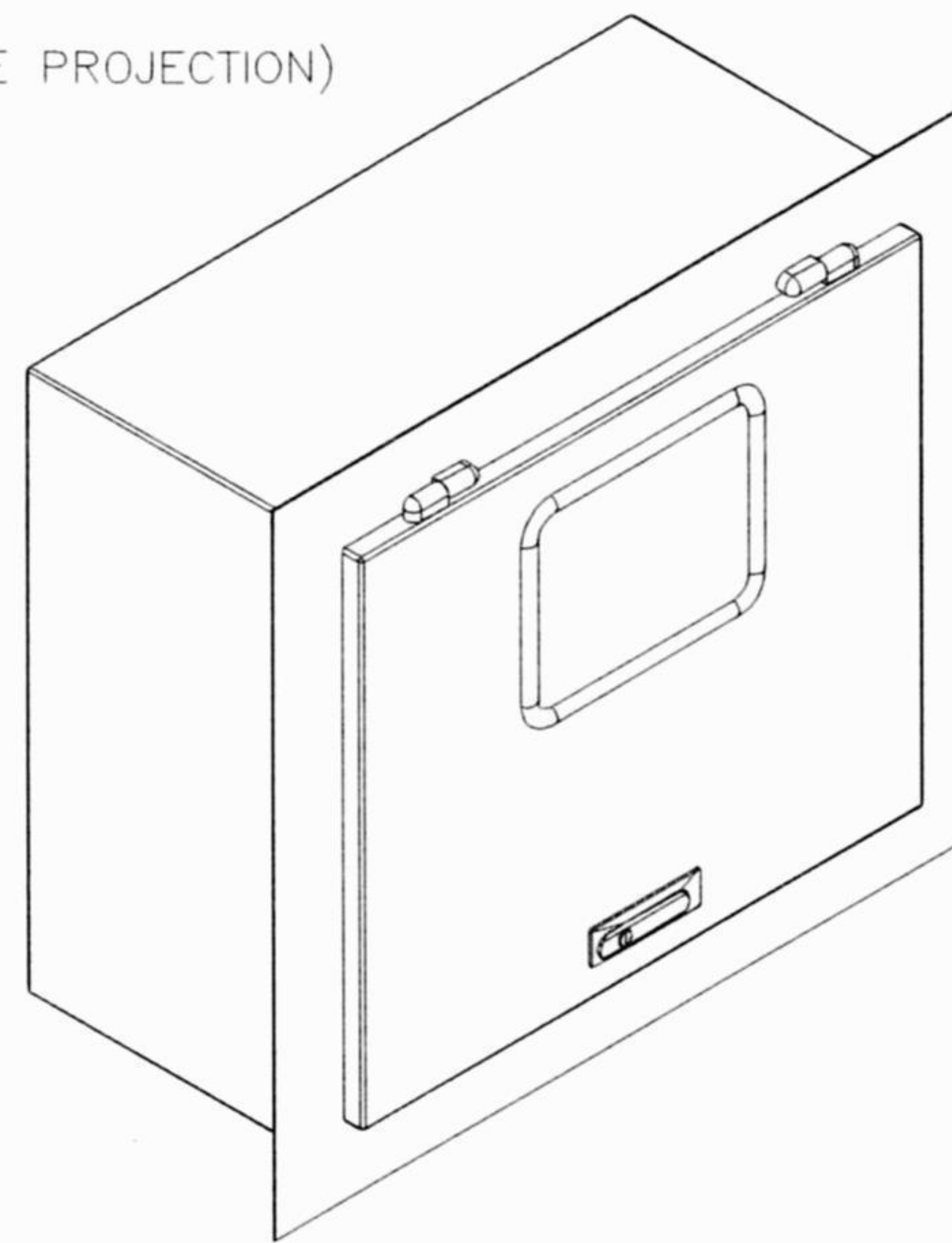


DO NOT SCALE  (FIRST ANGLE PROJECTION)



TITLE: CABINET LAYOUT		<b>F.E.L Valves Ltd.</b>	
GENERAL TOLERANCES 0-PLACE DEC [0] ±0.5mm 1-PLACE DEC [0.0] ±0.2mm		DRAWN: S.BOWLER	DATE: DATE
		FILE NAME: CABINET LAYOUT	96, PICKMERE LANE, WINCHAM, NORTHWICH, CHESHIRE, UK. CW9 6EB. TEL: 01565 733137

A  
B  
C  
D  
E  
F